

REMOTE WATER CONTROL VALVE AND FILTER:

This piece of equipment serves two important purposes:

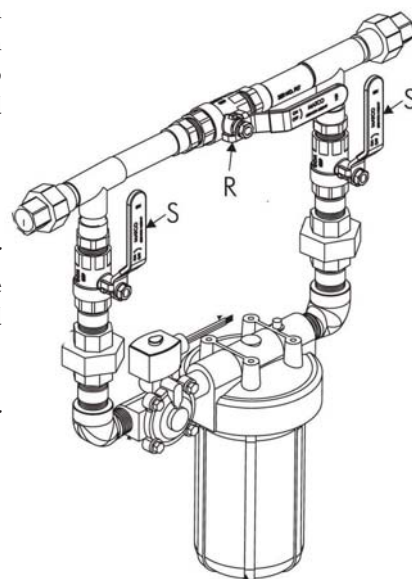
1. The water control valve has an electric solenoid that when power is cut to it, the valve closes preventing water from flowing to the rest of the office. The purpose for this is to prevent office floods. In the event any plumbing fitting were to fail while the office was unoccupied, the only water that could leak into the floor would be what is left in the lines. The water control valve would prevent water from continuing to flow and flood preventing extreme damage and down time to the practice. This solenoid can be manually bypassed in the event of a power outage so that sinks and toilets can still be used.
2. The water control filter prevents dirt, sediment and debris from municipal water supplies from making its way into the sensitive equipment items in the dental office. In many areas where construction is going on, the level of sediment in the city water lines can be heavy. This filter prevents sediment from working its way into your vacuum pump housing which can be the cause of premature failure and damage to the pump housing and impellers.



Water Control Valve Maintenance Required:

FILTER REPLACEMENT: The most common water by-pass filter system is the Air Techniques assembly. The filter element replacement reorder number is 53153. This should be replaced as needed. If you have a different system or model, ask your representative to help you find the appropriate part number for your replacement filter.

1. Close two valves (S), and press red button to release pressure.
2. Unscrew filter bowl, remove and replace filter. (have bucket or pan handy to catch water resident in loop).
3. Reinstall filter bowl.
4. Open valves (S), check for leaks.
5. Press red button to relieve entrapped air.



The Art of Restoration. The Art of Instrumentation.
Hu-Friedy Restorative Instruments

Quality and Craftsmanship
in Every Restorative Instrument for
Consistent Clinical Performance

Ergonomic Lightweight Handle Design
Provides Maximum Comfort, Increases
Control and Reduces Hand Fatigue

XTS Instruments Feature an **Exclusive
Aluminum Titanium Nitride (AlTiN)
Coating** for Ultimate Non-Stick and
Scratch Resistance

Distinct XTS Black Finish
Enhances Contrast and
Increases Procedural Visibility



SPECIAL OFFERS

January 1 – March 31, 2009

Buy 3 XTS® Instruments, Get 1 Free*

Buy 5 Restorative Instruments, Get 1 Free*

(Including Endodontic Instruments and Rubber Dam Clamps)



Call 1-800-HU-FRIEDY or contact your authorized Hu-Friedy dealer representative for more information or to place an order. www.hu-friedy.com

To receive your free product(s) please fax a copy of your dealer invoice dated January 1- March 31, 2009 indicating the required purchases and your free good selection to 773-868-3560 or mail to: In the United States: 3232 N. Rockwell, Chicago, IL 60618-5935 In Canada: Hu-Friedy Mfg. Co. Inc. 101 Innes Parkway, Unit 208 Ottawa, ON K1B 1E3 *Free goods must be of equal or lesser value. Visit www.hu-friedy.com or call 1-800-HU-FRIEDY for complete promotion details. ©2008 Hu-Friedy Mfg. Co., Inc. All rights reserved. Hu-Friedy, the Hu-Friedy oval logo, XTS are trademarks of Hu-Friedy Mfg. Co., Inc. May not be combined with any other offer. Redemption must be postmarked by April 30, 2009. Offer valid in the 50 United States, District of Columbia and Canada only and does not apply to school, government or institution offers. Please allow 6-8 weeks for delivery of free goods.

