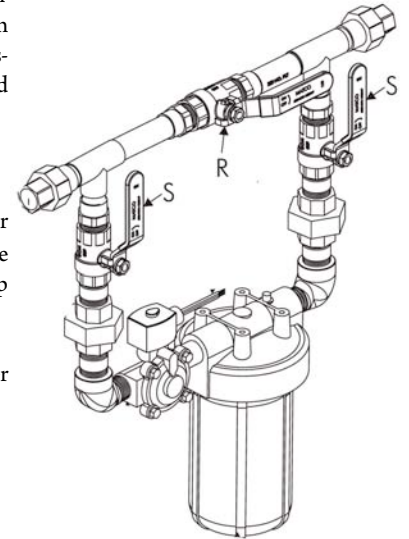


REMOTE WATER CONTROL VALVE AND FILTER:

This piece of equipment serves two important purposes:

1. The water control valve has an electric solenoid that when power is cut to it, the valve closes preventing water from flowing to the rest of the office. The purpose for this is to prevent office floods. In the event any plumbing fitting were to fail while the office was unoccupied, the only water that could leak into the floor would be what is left in the lines. The water control valve would prevent water from continuing to flow and flood preventing extreme damage and down time to the practice. This solenoid can be manually by-passed in the event of a power outage so that sinks and toilets can still be used.
2. The water control filter prevents dirt, sediment and debris from municipal water supplies from making its way into the sensitive equipment items in the dental office. In many areas where construction is going on, the level of sediment in the city water lines can be heavy. This filter prevents sediment from working its way into your vacuum pump housing which can be the cause of premature failure and damage to the pump housing and impellers.



Water Control Valve Maintenance Required:

FILTER REPLACEMENT: The most common water by-pass filter system is the Air Techniques assembly. The filter element replacement reorder number is 53153. This should be replaced as needed. If you have a different system or model, check ask your representative to help you find the appropriate part number for your replacement filter.

1. Close two valves (S), and press red button to release pressure.
2. Unscrew filter bowl, remove and replace filter. (have bucket or pan handy to catch water resident in loop).
3. Reinstall filter bowl.
4. Open valves (S), check for leaks.
5. Press red button to relieve entrapped air.



THE DENTAL ADVISOR, Vol. 25, No. 10, October 2008
seT capsules only, seT PP has not been evaluated
by THE DENTAL ADVISOR and the rating
does not reflect the performance of seT PP.

SDI's top rated cement, seT now available in syringes



seT PP
dual cured, self
adhering resin cement

- No Bisphenol A or HEMA
- High bond strength
- Easy clean up

seT PP assorted syringe kit includes:
5 x 7g syringes in shades A1, A2, OA3,
White Opaque and Translucent

**one
step
cement**

seT PP
assorted syringe
kit intro offer*
ONLY \$119
(Regular Price
\$149.99)



SDI (North America), Inc.
729 N. Route 83, Suite 315
Bensenville, IL 60106, USA
Toll free: 1800 228 5166

Fax: 630 238 9200
usa.canada@sdi.com.au
www.sdi.com.au



*The seT PP assorted syringe kit introductory offer of \$119 is valid until 30th March, 2010.